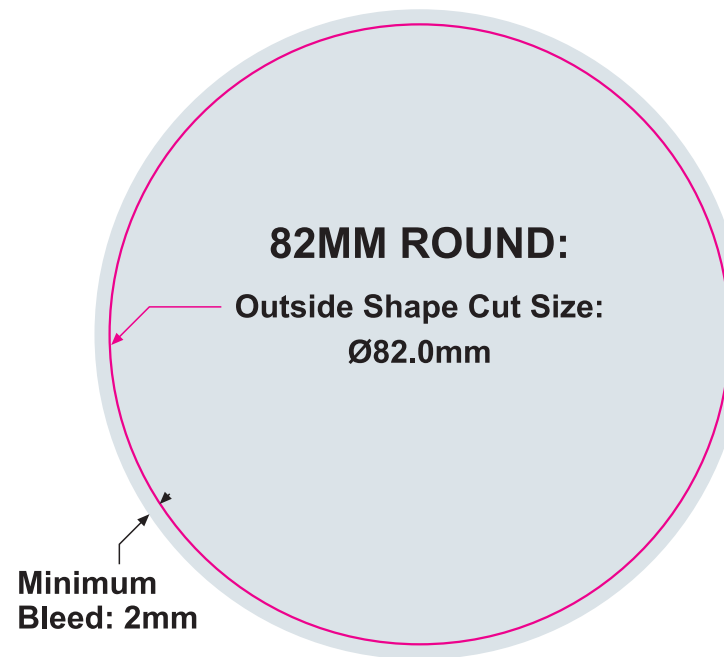
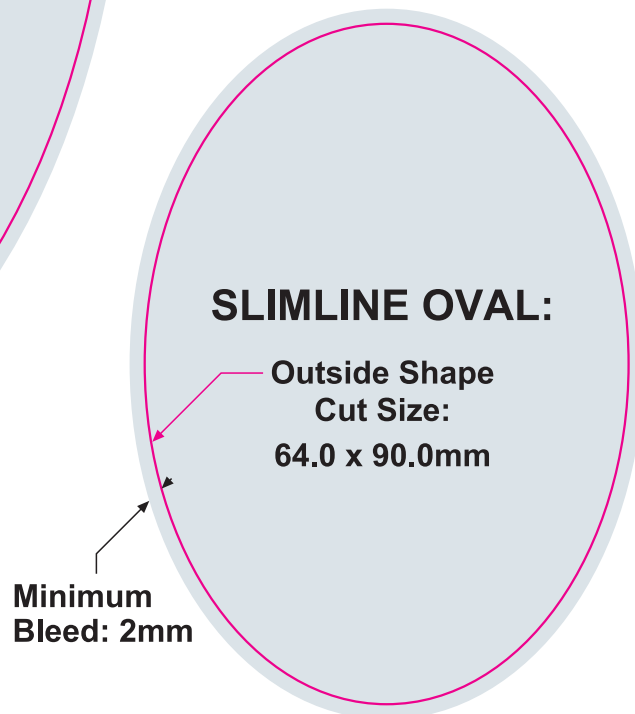
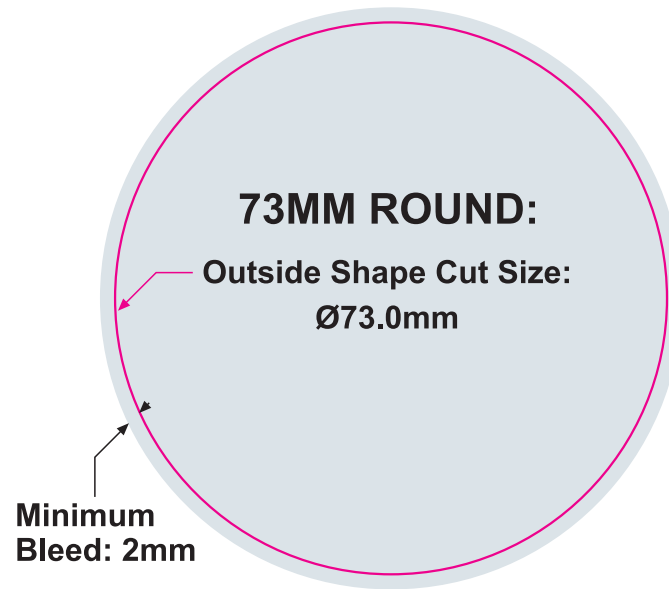
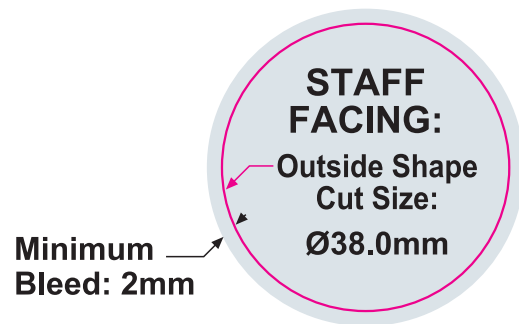
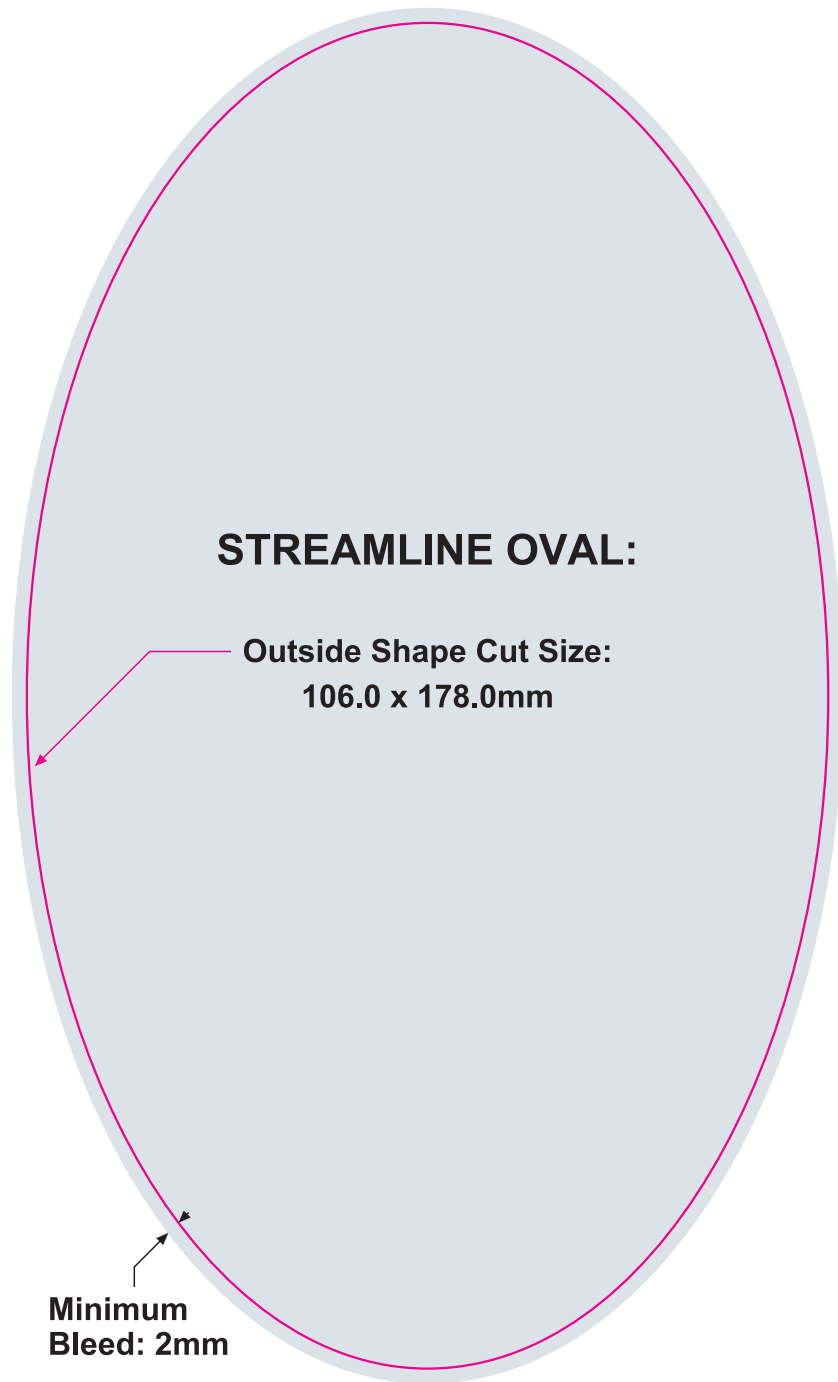


## STANDARD LENSE SIZE

**KEY:**

- = Indicates Cut Path of Outside Shape.
- = Indicates minimum 2mm Bleed required.



Minimum Bleed: 2mm



Minimum Bleed: 2mm